

L 100
L 200 for Single Door Refrigerators

L 300
LS 300 for Double Door Refrigerators
L 500

R 500 for Roof mounting

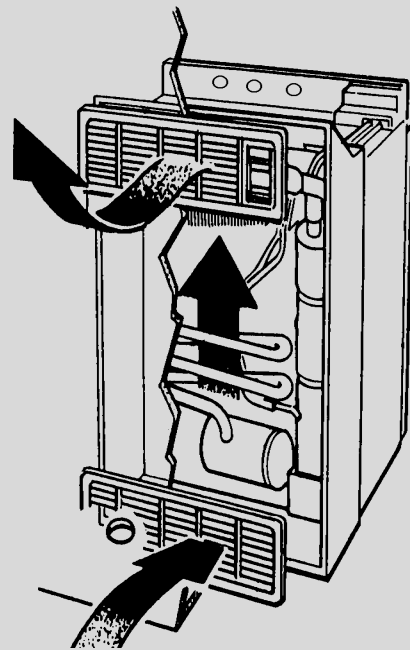


Table of Contents

	Page
1.0 L 100	3
1.1 Air vent grid complete	3
1.2 Air vent grid above	4
1.3 Winter cover above	4
1.4 Frame above	5
1.5 Boss for air vent grid	5
1.5 Locking screw	5
2.0 L 200	6
2.1 Air vent grid bottom	6
2.2 Winter cover bottom	6
2.3 Frame bottom	7
2.4 Locking screw	7
3.0 L 300	8
3.1 Air vent grid	8
3.2 Winter cover	8
3.3 Frame	8
3.4 Locking screw	8
4.0 LS 300	9
4.1 Air vent grid	9
4.2 Winter cover	9
4.3 Frame	9
4.4 Lock	9
5.0 Insert for winter operation	10
6.0 L 500	11
6.1 Air vent grid	11
6.2 Winter cover	11
6.3 Frame	11
6.4 Locking screw	11
7.0 R 500	12
7.1 Cover	12
7.2 Frame	12
7.3 Seal	12
7.4 Screws	12
8.0 INSTALLATION GUIDE	13
8.1 L 100 / L 200	13
8.2 L 300 / L 500	14
8.3 LS 300	15
8.4 R 500	16
9.0 VENTILATION KIT	17
10.0 BULLETIN	18



The instruction on hand is completed and revised regularly.

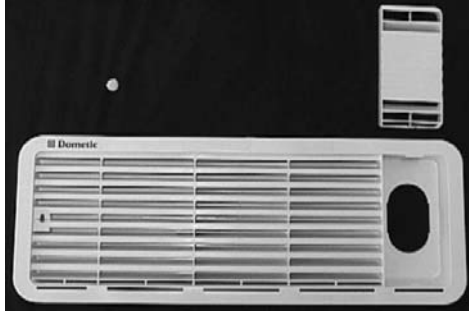
1.0

1.1

L100 (manufactured since October 2002)

Air vent grid, cpl., above, 479mm x 185, 2mm

(consists of air vent grid, boss and locking screw)



with Dometic Logo, with mosquito-net:

- 241 2864-31/2, colour beige RU 1020
- 241 2864-32/0, colour white 20/3306
- 241 2864-33/8, colour grey RAL 7001
- 241 2864-34/6, colour Fiat Bianco 210
- 241 2864-36/1, colour light grey NCS 3000
- 241 2864-40/3, colour grey RAL 7015
- 241 2864-43/7, colour grey RAL 7015
- 241 2864-44/5, colour grey NCS 7000
- 241 2864-45/2, colour grey RAL 7012
- 241 2864-47/8, colour black-grey RAL 7021
- 241 2864-48/6, colour silver RAL 9006

without Dometic Logo, with mosquito-net:

- 241 2864-52/8, colour white 20/3306

with Dometic Logo, without mosquito-net:

- 241 2864-35/3, colour nature
- 241 2864-38/7, colour grey RAL 7040
- 241 2864-39/5, colour grey 4 RAL 7047
- 241 2864-60/1, colour grey RAL 7015
- 241 2864-61/9, colour white RAL 9003
- 241 2864-63/5, colour grey RAL 7015

without Dometic Logo, without mosquito-net:

- 241 2864-42/9, colour white 20/3306

1.2

Air vent grid, above, 479mm x 185, 2mm

(consists of air vent grid and locking screw)



with Dometic Logo, with mosquito-net:

241 2857-30/8, colour beige RU 1020
241 2857-31/6, colour white 20/3306
241 2857-32/4, colour grey RAL 7001
241 2857-33/2, colour Fiat Bianco 210
241 2857-36/5, colour light grey NCS 3000
241 2929-30/5, colour grey RAL 7015
241 2929-32/1, colour grey NCS 7000
241 2929-33/9, colour grey RAL 7015
241 2929-35/4, colour grey RAL 7012
241 2929-37/0, colour black-grey RAL 7021
241 2929-38/8, colour silver RAL 9006

without Dometic Logo, with mosquito-net:

241 2857-51/4, colour white 20/3306

with Dometic Logo, without mosquito-net:

241 2857-25/8, colour nature
241 2857-28/2, colour grey RAL 7040
241 2857-29/0, colour grey 4 RAL 7047
241 2857-60/5, colour grey RAL 7015
241 2857-61/3, colour white RAL 9003
241 2857-63/9, colour grey RAL 7015

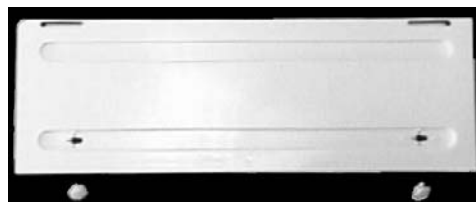
without Dometic Logo, without mosquito-net:

241 2857-41/5, colour white 20/3306

1.3

Winter cover, above, 371mm x 130,5mm

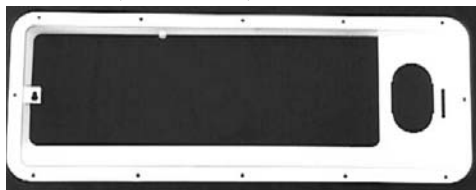
(consists of cover and two locking screws)



295 2105-00/1, colour beige 10/028
295 2105-01/9, colour white 20/3304
295 2105-02/7, colour grey RAL 7001
295 2105-03/5, colour Fiat Bianco 210
295 2105-06/8, colour light grey NCS 3000
295 2105-08/4, colour grey RAL 7040
295 2105-09/2, colour grey 4 RAL 7047
295 2105-20/9, colour white RAL 9003
295 2105-21/7, colour grey RAL 7015
295 2105-22/5, colour grey NCS 7000
295 2105-23/3, colour grey RAL 7015
295 2105-25/8, colour grey RAL 7012
295 2105-27/4, colour black-grey RAL7021
295 2105-28/2, colour silver RAL 9006

1.4

Frame, above, 475mm x 180mm



without seal

295 1771-20/9, colour nature
295 1771-27/4, colour black-grey RAL 7021
295 1771-50/6, colour grey RAL 7015

with seal

241 2755-10/6, colour nature

1.5

Boss for air vent grid, 70mm x 147,2mm



295 1767-00/9, colour beige RU 1020
295 1767-01/7, colour white 20/3304
295 1767-02/5, colour grey RAL 7001
295 1767-03/3, colour Fiat Bianco 210
295 1767-05/8, colour nature
295 1767-06/6, colour light grey NCS 3000
295 1767-08/2, colour grey RAL 7040
295 1767-09/0, colour grey 4 RAL 7047
295 1767-10/8, colour grey RAL 7015
295 1767-11/6, colour white RAL 9003
295 1767-12/4, colour grey NCS 7000
295 1767-15/7, colour grey RAL 7012
295 1767-17/3, colour black-grey RAL 7021
295 1767-18/1, colour silver RAL 9006

1.6

Locking screw



295 1766-00/1, colour beige RU 1020
295 1766-01/9, colour white 20/3304
295 1766-02/7, colour grey RAL 7001
295 1766-03/5, colour Fiat Bianco 210
295 1766-05/0, colour nature
295 1766-06/8, colour light grey NCS 3000
295 1766-07/6, colour silver metallic
295 1766-08/4, colour grey RAL 7040
295 1766-09/2, colour grey 4 RAL 7047
295 1766-10/0, colour grey RAL 7015
295 1766-11/8, colour white RAL 9003
295 1766-12/6, colour grey NCS 7000
295 1766-14/2, colour grey RAL 7004
295 1766-15/9, colour grey RAL 7012
295 1766-17/5, colour black-grey RAL 7021
295 1766-18/3, colour silver RAL 9006

295 1766-94/4, colour grey NCS 7000, **50 pieces**
295 1766-95/1, colour light grey NCS 3000, **50 pieces**
295 1766-96/9, colour Fiat Bianco 210, **50 pieces**
295 1766-97/7, colour grey RAL 7001, **50 pieces**
295 1766-98/5, colour beige RU 1020, **50 pieces**
295 1766-99/3, colour white 20/3304, **50 pieces**

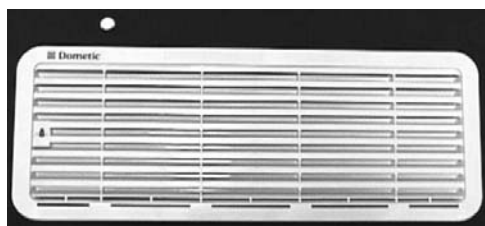
2.0

L200 (manufactured since October 2002)

2.1

Air vent grid, bottom, 479mm x 185, 2mm

(consists of air vent grid and locking screw)



with Dometic Logo, with mosquito-net:

- 241 2858-30/6, colour beige RU 1020
- 241 2858-31/4, colour white 20/3306
- 241 2858-32/2, colour grey RAL 7001
- 241 2858-33/0, colour Fiat Bianco 210
- 241 2858-36/3, colour light grey NCS 3000
- 241 2858-37/1, colour silver metallic
- 241 2930-30/3, colour grey RAL 7015
- 241 2930-32/9, colour grey NCS 7000
- 241 2930-33/7, colour grey RAL 7015
- 241 2930-34/5, colour grey RAL 7004
- 241 2930-35/2, colour grey RAL 7012
- 241 2930-37/8, colour black-grey RAL 7021
- 241 2930-38/6, colour silver RAL 9006

without Dometic Logo, with mosquito-net:

- 241 2858-51/2, colour white 20/3306

with Dometic Logo, without mosquito-net:

- 241 2858-25/6, colour nature
- 241 2858-28/0, colour grey RAL 7040
- 241 2858-29/8, colour grey 4 RAL 7047
- 241 2858-60/3, colour grey RAL 7015
- 241 2858-61/1, colour white RAL 9003
- 241 2858-63/7, colour grey RAL 7015

without Dometic Logo, without mosquito-net:

- 241 2858-41/3, colour white 20/3306

2.2

Winter cover, bottom , 442,5mm x 130,5mm

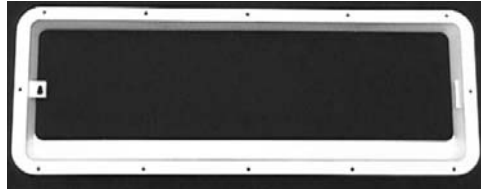
(consists of cover and two locking screws)



- 295 2105-10/0, colour beige 10/028
- 295 2105-11/8, colour white 20/3304
- 295 2105-12/6, colour grey RAL 7001
- 295 2105-13/4, colour Fiat Bianco 210
- 295 2105-15/9, colour nature
- 295 2105-16/7, colour light grey NCS 3000
- 295 2105-18/3, colour grey RAL 7040
- 295 2105-19/1, colour grey 4 RAL 7047
- 295 2105-30/8, colour white RAL 9003
- 295 2105-31/6, colour grey RAL 7015
- 295 2105-32/4, colour grey NCS 7000
- 295 2105-33/2, colour grey RAL 7015
- 295 2105-35/7, colour grey RAL 7012
- 295 2105-37/3, colour black-grey RAL7021
- 295 2105-38/1, colour silver RAL 9006

2.3

Frame, bottom, 475mm x 180mm



without seal

295 1771-30/8, colour nature

295 1771-37/3, colour black-grey RAL 7021

295 1771-40/7, colour grey RAL 7015

with seal

241 2755-00/7, colour nature

2.4

Locking screw

see item 1.6

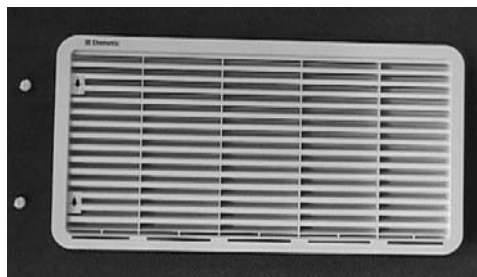
3.0

L300 (manufactured since June 2005)

3.1

Air vent grid, 518mm x 277mm

(consists of air vent grid and two locking screws)



with Dometic Logo, with mosquito-net:

241 3207-57/8, colour beige NCS S0505-Y20R

241 3207-58/6, colour white NCS S0500-N

241 3207-59/4, colour Fiat Bianco 210

241 3207-60/2, colour light grey NCS 2500-N

241 3207-62/8, colour grey NCS 7000

241 3207-63/6, colour grey 4 RAL 7047

241 3207-65/1, colour grey RAL 7012

241 3207-66/9, colour grey RAL 7040

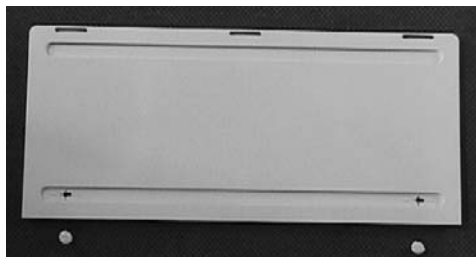
without Dometic Logo, with mosquito-net:

241 3207-08/1, colour white NCS S0500-N

3.2

Winter cover, 482mm x 223mm

(consists of cover and two locking screws)



241 3205-00/2, colour beige NCS S0505-Y20R

241 3205-01/0, colour white NCS S0500-N

241 3205-02/8, colour Fiat Bianco 210

241 3205-03/6, colour light grey NCS 2500-N

241 3205-04/4, colour grey NCS 7000

241 3205-05/1, colour grey 4 RAL 7047

241 3205-15/0, colour grey RAL 7012

241 3205-16/8, colour grey RAL 7040

3.3

Frame, 514mm x 273mm



293 3078-55/8, colour nature

3.4

Locking screw

see item 1.6

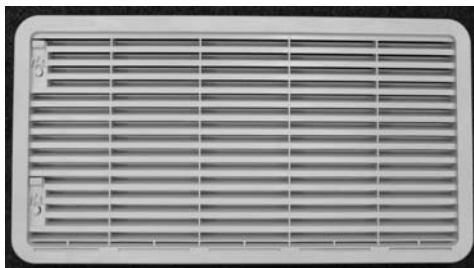
4.0

LS300 (manufactured since October 2007)

4.1

Air vent grid, 518mm x 277mm

(consists of air vent grid and two locking sliders)



with Dometic Logo, with mosquito-net:

241 3207-87/5, colour beige NCS S0505-Y20R

241 3207-88/3, colour white NCS S0500-N

241 3207-89/1, colour Fiat Bianco 210

241 3207-80/0, colour light grey NCS 2500-N

241 3207-82/6, colour grey NCS 7000

241 3207-83/4, colour grey 4 RAL 7047

241 3207-85/9, colour grey RAL 7012

241 3207-86/7, colour grey RAL 7040

without Dometic Logo, with mosquito-net:

241 3207-78/4, colour white NCS S0500-N

4.2

Winter cover, 482mm x 223mm

(consists of cover and two locking screws)



241 3205-00/2, colour beige NCS S0505-Y20R

241 3205-01/0, colour white NCS S0500-N

241 3205-02/8, colour Fiat Bianco 210

241 3205-03/6, colour light grey NCS 2500-N

241 3205-04/4, colour grey NCS 7000

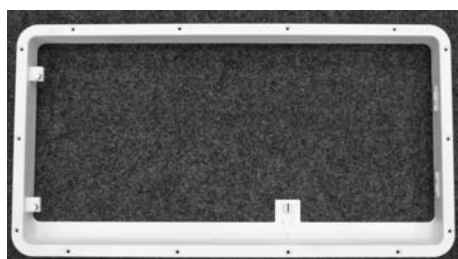
241 3205-05/1, colour grey 4 RAL 7047

241 3205-15/0, colour grey RAL 7012

241 3205-16/8, colour grey RAL 7040

4.3

Frame, 514mm x 273mm



293 3078-60/8, colour nature

4.4

Locking screw

see item 1.6

Locking slider



295 1766-30/8, Farbe beige RU 1020

295 1766-31/6, Farbe weiß 20/3304

295 1766-33/2, Farbe Fiat Bianco 210

295 1766-36/5, Farbe hellgrau NCS 3000

295 1766-38/1, Farbe Fenstergrau RAL 7040

295 1766-39/9, Farbe Telegrau 4 RAL 7047

295 1766-42/3, Farbe grau NCS 7000

295 1766-45/6, Farbe grau RAL 7012

5.0

Insert for winter operation

EW300, 518 mm x 277 mm

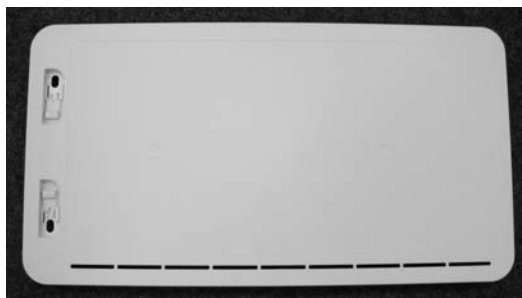
(consists of insert and two locking screws, accessories)



This insert can be used instead of the lower ventilation grid, if the outdoor temperature is lower than 0°C.

EWS300, 518 mm x 277 mm

(consists of insert and two locking sliders, accessories)



This insert can be used instead of the lower ventilation grid, if the outdoor temperature is lower than 0°C.

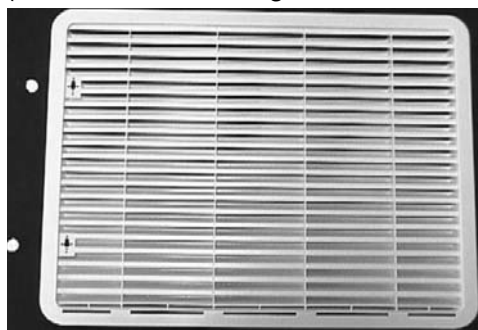
6.0

L500

6.1

Air vent grid, 479mm x 371, 2mm

(consists of air vent grid and two locking screws)



with Dometic Logo, with mosquito-net:

293 3076-57/8, colour beige RU 1020
293 3076-58/6, colour white 20/3304
293 3076-59/4, colour Fiat Bianco 210
293 3076-60/2, colour light grey NCS 3000
293 3076-62/8, colour grey NCS 7000
293 3076-64/4, colour grey RAL 7004

without Dometic Logo, with mosquito-net:

293 3076-08/1, colour white

6.2

Winter cover, bottom, 442,5mm x 130,5mm

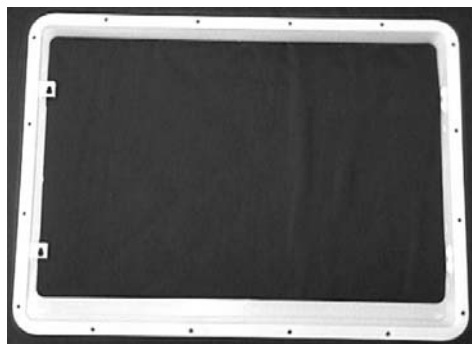
(consists of cover and two locking screws)



295 2105-10/0, colour beige RU 1020
295 2105-11/8, colour white 20/3304
295 2105-13/4, colour Fiat Bianco 210
295 2105-16/7, colour light grey NCS 3000

6.3

Frame, 475mm x 365,6mm



without seal

293 3078-05/3, colour nature

6.4

Locking screw



295 1766-00/1, colour beige RU 1020
295 1766-01/9, colour white 20/3304
295 1766-03/5, colour Fiat Bianco 210
295 1766-06/8, colour light grey NCS 3000
295 1766-12/6, colour grey NCS 7000
295 1766-14/2, colour grey RAL 7004

295 1766-94/4, colour grey NCS 7000, **50 pieces**
295 1766-95/1, colour light grey NCS 3000, **50 pieces**
295 1766-96/9, colour Fiat Bianco 210, **50 pieces**
295 1766-98/5, colour beige RU 1020, **50 pieces**
295 1766-99/3, colour white 20/3304, **50 pieces**

7.0

R500

7.1

Cover, 598mm x 190mm



293 3174-01/9, colour white

7.2

Frame, 550mm x 125mm



293 3175-01/6, colour white

7.3

Seal, 535mm x 125mm



293 3177-01/2, colour white

7.4

Screws



385 8049-01/2, stainless, 5x 45

8.0

8.1

INSTALLATION GUIDE

L100/L200

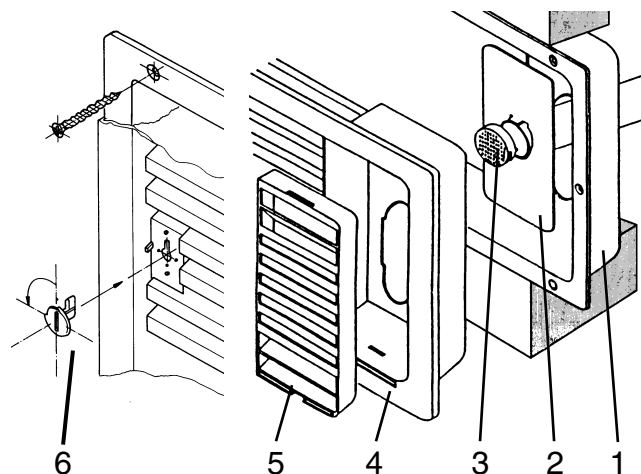


Fig. 1

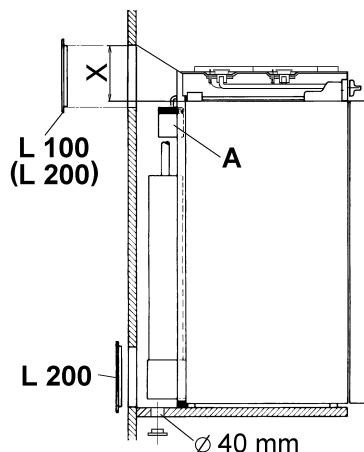


Fig. 2

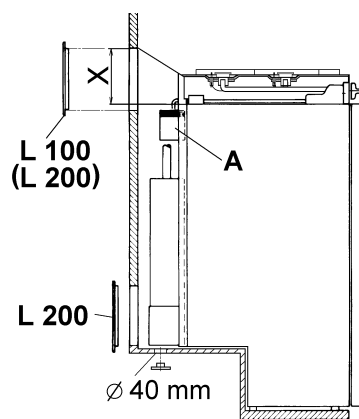


Fig. 3

Installation steps

1. Cut out a rectangle (width 451mm, height 156mm) in the external wall and install the frame (1) with screws.
2. Push the exhaust pipe with cover (2) through the opening in the frame and connect it to the exhaust system of the refrigerator.
3. Position the ventilation grid (4) into the frame (1) and fasten it with the locking screw (6).
4. Place the cover cap (3) on the exhaust pipe (2).
5. Click in the inset for the exhaust conduction (5).

Please note, that the lower ventilation grid does not have the parts for the exhaust conduction.

The **upper** ventilation grid should be positioned as high as possible above condenser (A).

The **lower** ventilation grid should be flush with the floor of the vehicle.

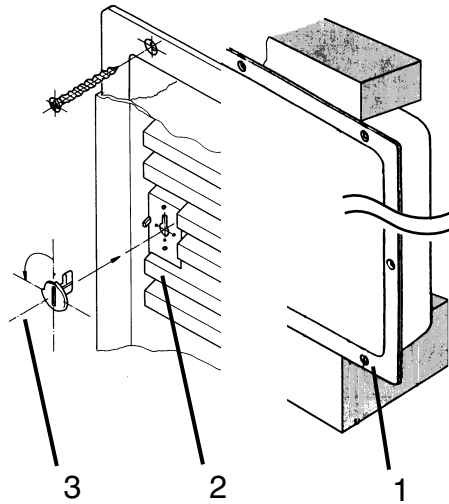
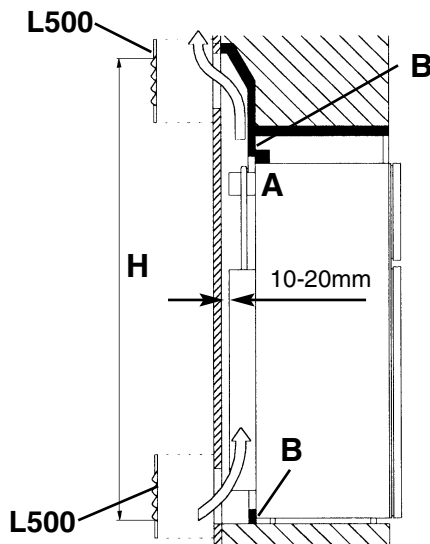


Fig. 1



- A = Condenser
- B = Stopper strip with profiled joint
- H = Ventilation height

Fig. 2

Installation steps

1. Cut out a rectangle (L300:width 490mm, height 249mm, L500:width 451mm, height 341mm) in the external wall and install the frame (1) with screws.
2. Position the ventilation grid (2) into the frame (1) and fasten it with the locking screws (3).

Please note, that this ventilation grid does not have the parts for the exhaust conduction.

The **upper** ventilation grid should be positioned as high as possible above condenser (A).

The **lower** ventilation grid should be flush with the floor of the vehicle.

Minimum ventilation height (H) = ca. **1400mm – 1500mm**

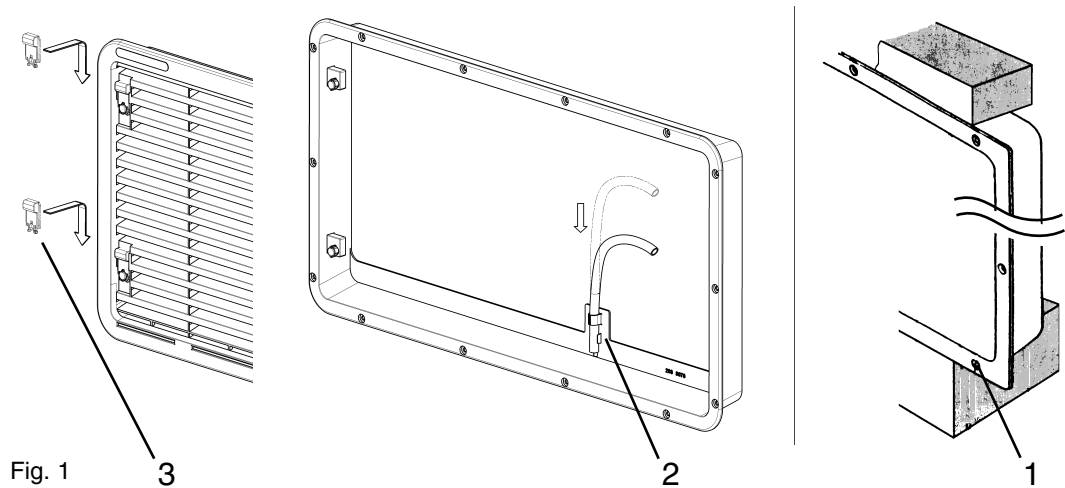


Fig. 1

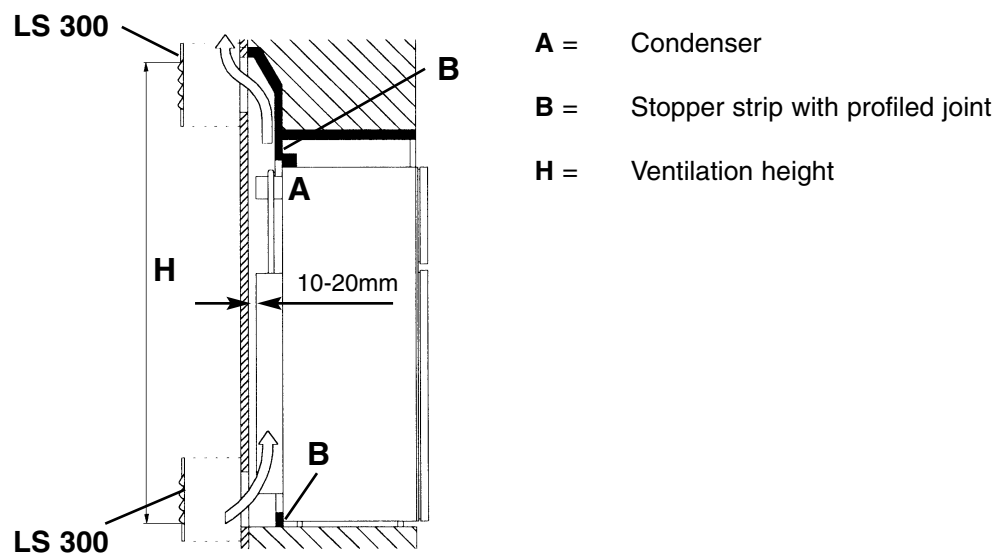


Fig. 2

Installation steps

1. Cut out a rectangle (L300:width 490mm, height 249mm, L500:width 451mm, height 341mm) in the external wall and install the frame (1) with screws.
2. Position the ventilation grid (2) into the frame (1) and fasten it with the locking sliders (3).

Please note, that this ventilation grid does not have the parts for the exhaust conduction.

The **upper** ventilation grid should be positioned as high as possible above condenser (A).

The **lower** ventilation grid should be flush with the floor of the vehicle.

Minimum ventilation height (H) = ca. **1400mm – 1500mm**

8.4

R500

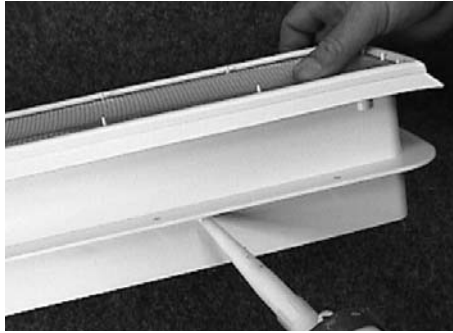


Fig. 1



Fig. 2

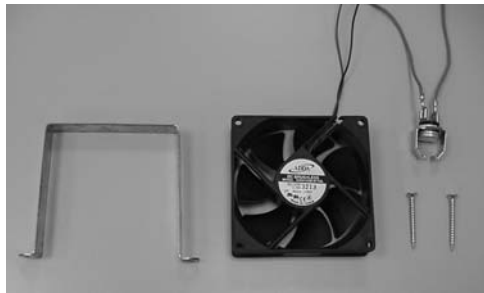
Installation steps

1. Cut out a rectangle (width 87mm, length 507mm) in the vehicle roof, seal the frame and install it with screws.
2. Position the cover into the frame and fasten it with the screws.

9.0

VENTILATION KIT

(Part Nummer: 241 2985-00)



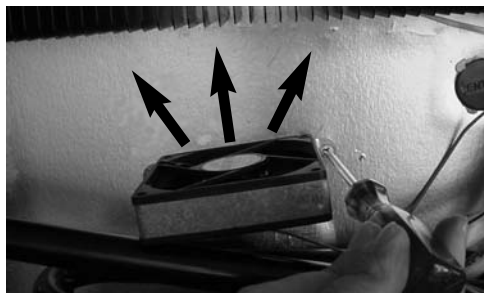
CONTENTS

Reinforcing plate with doublesided adhesive tape

Metal holder for ventilator

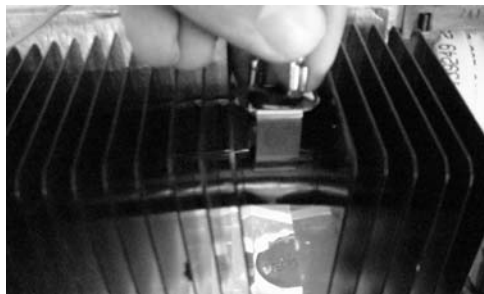
12V-DC-ventilator

Bimetal-switch with connection cable

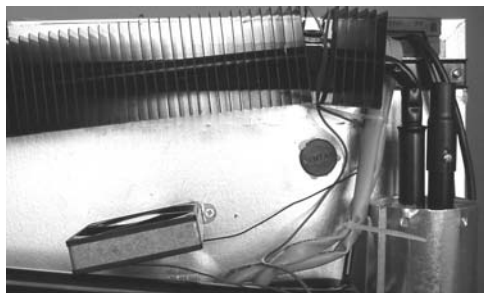


Mount ventilator with holder and two screws between condenser and absorption unit. (*Use reinforcing plate at appliances with no metal rear!*).

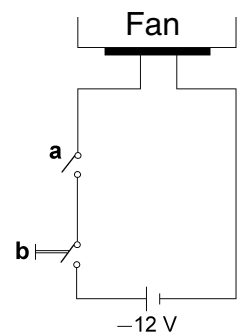
IMPORTANT! The ventilator has to be installed with the same slope like the condenser fins. By this the generated air stream is always lead in an upper direction.



The Bimetal-switch is clicked onto the condenser pipe, as shown.



Connect the cable to a permanent attached 12V DC power supply with the right polarity (mount an additional switch if wanted).



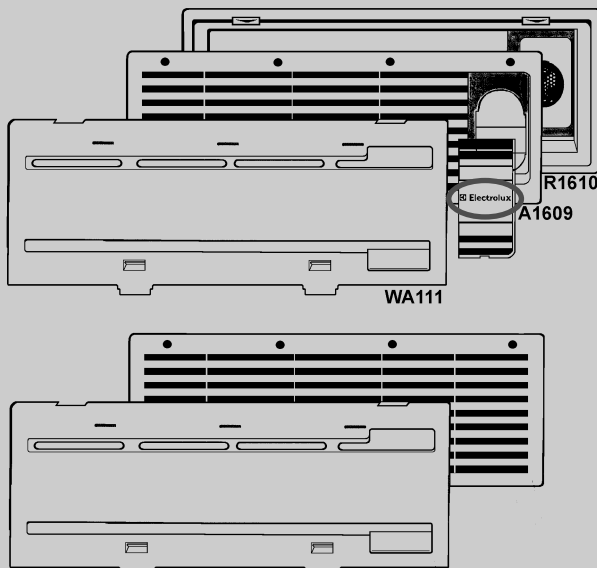
The cable must be laid in such a way that it does not come in contact with hot components of the unit/burner or with sharp edges.

Installing an additional fan is useful, if due to unfavourable built-in conditions and / or constantly high ambient temperature the ventilation of the cooling unit is affected, and there is worsening of cooling performance.

Dometic GmbH, In der Steinwiese 16, D-57074 Siegen

Differentiation of the ventilation systems

A1609



Characteristics:

- The logo "Electrolux" is on the boss for exhaust device.
- The air vent grill is **visible** fixed (8 screws).
- The ventilation system was built up to 1993.

Cutout Dimensions for R1610:

485mm x 185mm

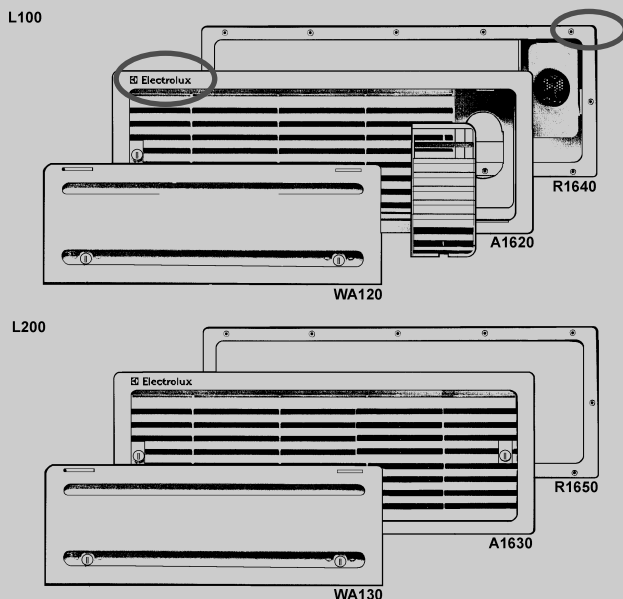


Attention

- The ventilation system is available in the colour beige only.
- The ventilation system can only be changed into a newer one, if the frame (R1610) was not used (Because if the frame was used, the cutout dimensions are to large.)

For the spare parts, please have a look to the model A1609

L100/L200 (manufacture up to septembre 2002)



Characteristics:

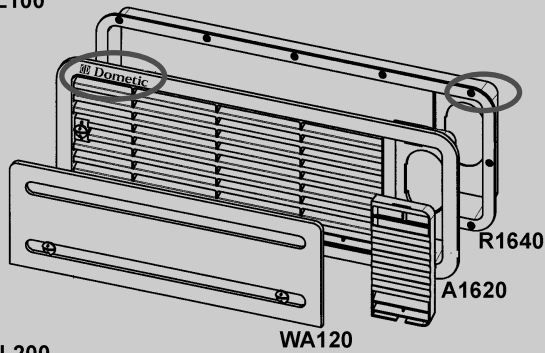
- The corners of the ventilation system have a **small** (R=5mm) radius.
- The logo "Electrolux" is on the frame.
- The frame R1640/1650 is **secret** fixed (12 screws).

Cutout Dimensions: 451mm x 156mm

For the spare parts, please have a look to the model L100/L200

L100/L200 (manufacture since Octobre 2002)

L100

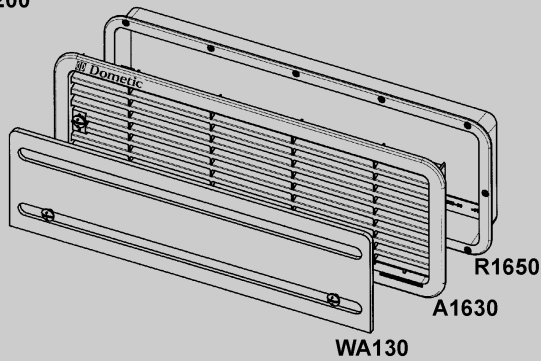


Characteristics:

- The corners of the ventilation system have a **big** (R=28mm) radius.
- The logo "Dometic" is on the frame.
- The frame R1640/1650 is **secret** fixed (12 screws).

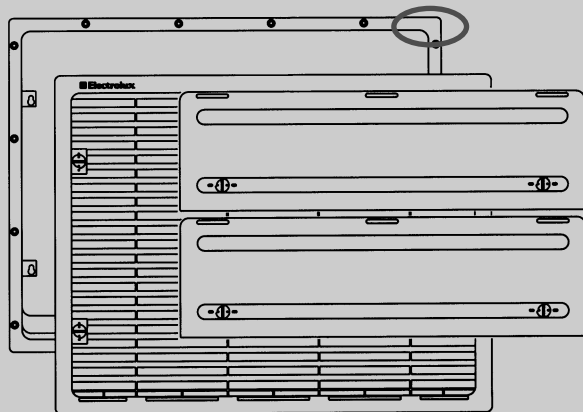
Cutout Dimensions: 451mm x 156mm

L200



For the spare parts, please have a look to the model L100/L200

L500 (Ventilation system for refrigerators >103L)



Characteristics:

- The logo "Dometic" is on the frame.
- The frame is secret fixed (16 screws).
- The corners of the ventilation system have a **small** (R=5mm) radius.

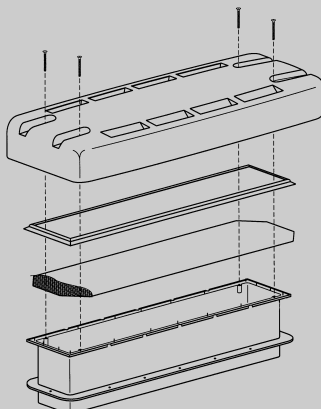
Cutout Dimensions: 451mm x 341mm



Winter cover have a look at L200 (2 pieces)

For the spare parts, please have a look to the model L500

R500 (Roof ventilation system)



Characteristics:

Cutout Dimensions: 87mm x 507mm

For the spare parts, please have a look to the model R500



Dometic GmbH
Technisches Büro **Service Dokumentation**

In der Steinwiese 16
D-57074 Siegen

Tel.: +49 (0) 271 / 692-0
Fax.: +49 (0) 271 / 692-322
www.dometic.de/caravan
www.dometic.com